

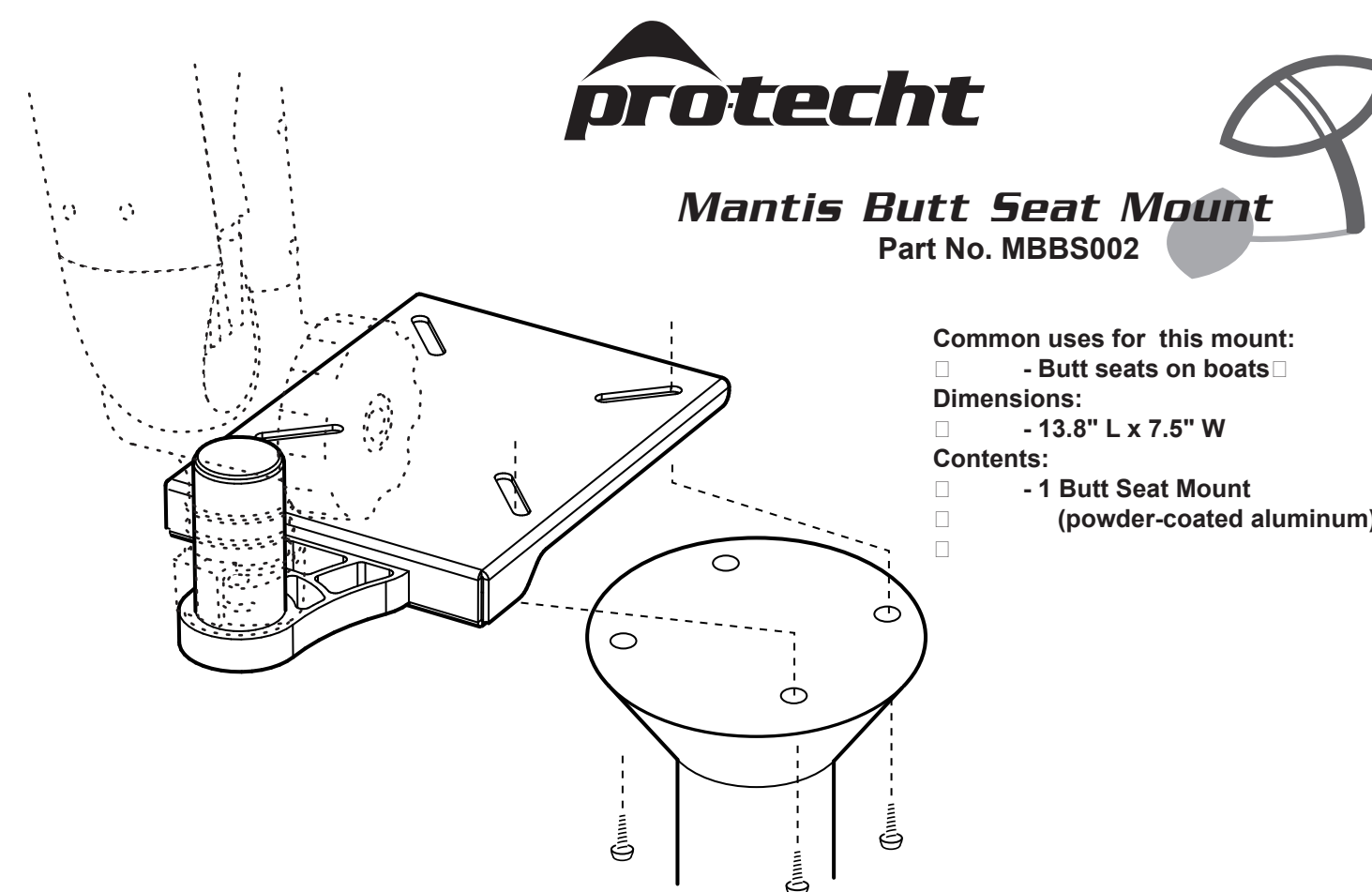
**protecht**  
**Mantis Bench Mount**  
 Part No. MBBJ008

- Common uses for this mount:
- Jon boat seats
  - Semi V boat seats
  - Other bench type seats
  - Deck rails with lip
- Dimensions:
- 6.8" L x 4 W x 6.3" H
- Contents:
- 1 Bench Mount (powder-coated aluminum)
  - 6 #10 x .75" Stainless Screws

**1. SELECT LOCATION and MARK AND DRILL HOLES**  
 Using the mounting bracket as a template, pencil each of the 6 hole locations onto the mounting substrate. With a 1/8-inch diameter bit, drill holes in the marked positions.

**2. INSTALL BRACKET**  
 With a Phillips screwdriver, install the mounting bracket, using the 6 supplied screws. Be sure all screws are securely tightened.

**3. INSTALL MANTIS**  
 Now place the Mantis assembly onto the vertical post of the bracket, and lock in place. Refer to the manual supplied with Mantis for detailed instructions.



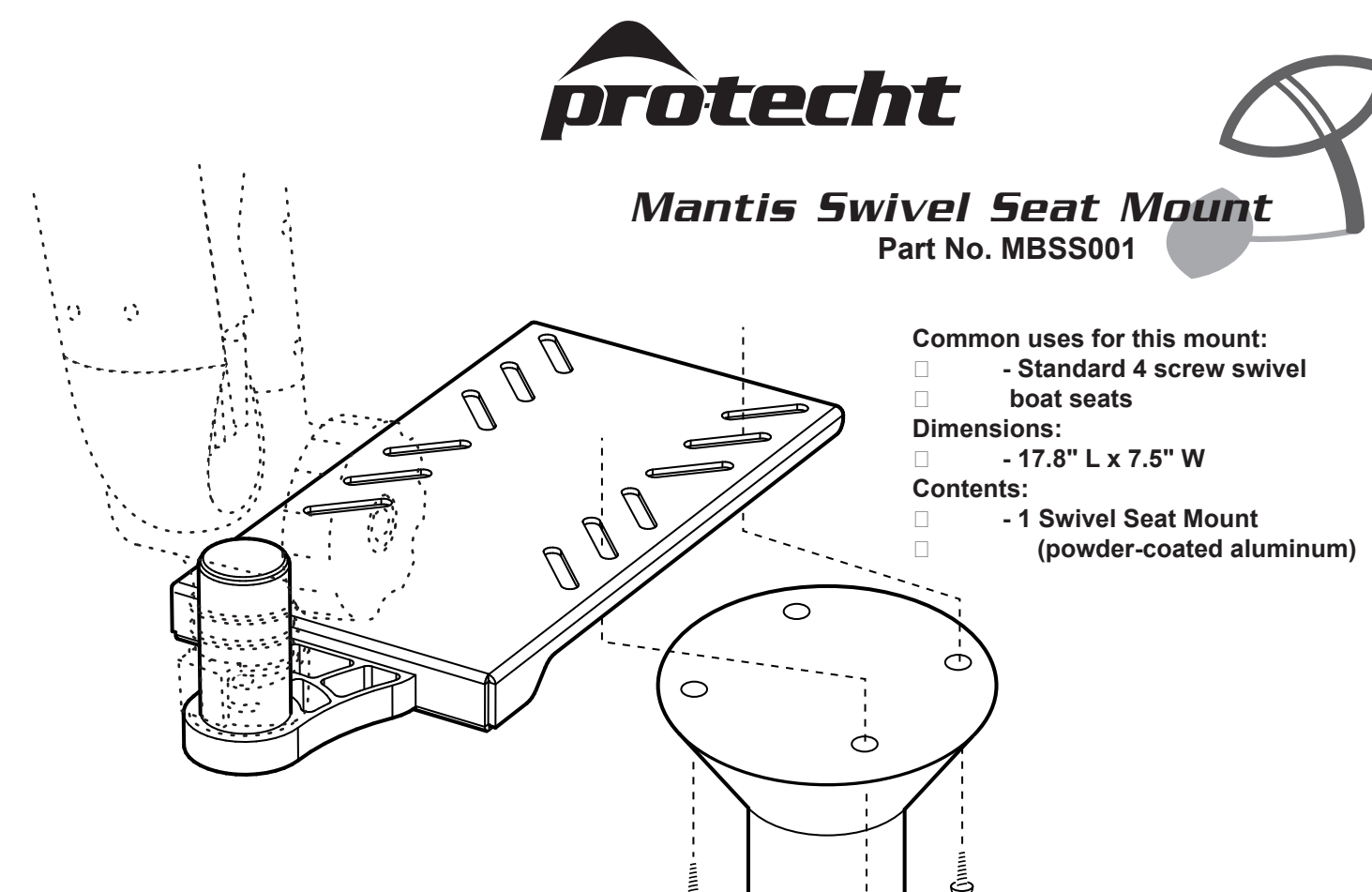
**protecht**  
**Mantis Butt Seat Mount**  
 Part No. MBBS002

- Common uses for this mount:
- Butt seats on boats
- Dimensions:
- 13.8" L x 7.5" W
- Contents:
- 1 Butt Seat Mount (powder-coated aluminum)

**1. REMOVE BUTT SEAT FROM PEDESTAL**  
 To remove seat, unscrew the 4 screws from beneath the seat pedestal.

**2. ALIGN SEAT MOUNT WITH PEDESTAL**  
 The 4 slotted holes are designed to retrofit existing seat pedestals. Once the mount has been positioned over the pedestal with all screw holes in view, position the butt seat over the mount.

**3. REINSTALL BUTT SEAT**  
 With the mounting plate now sandwiched between the pedestal and the seat, replace the 4 screws and tighten securely. You can now place the Mantis assembly onto the vertical post of the bracket, and lock in place. Refer to the manual supplied with Mantis for detailed instructions.



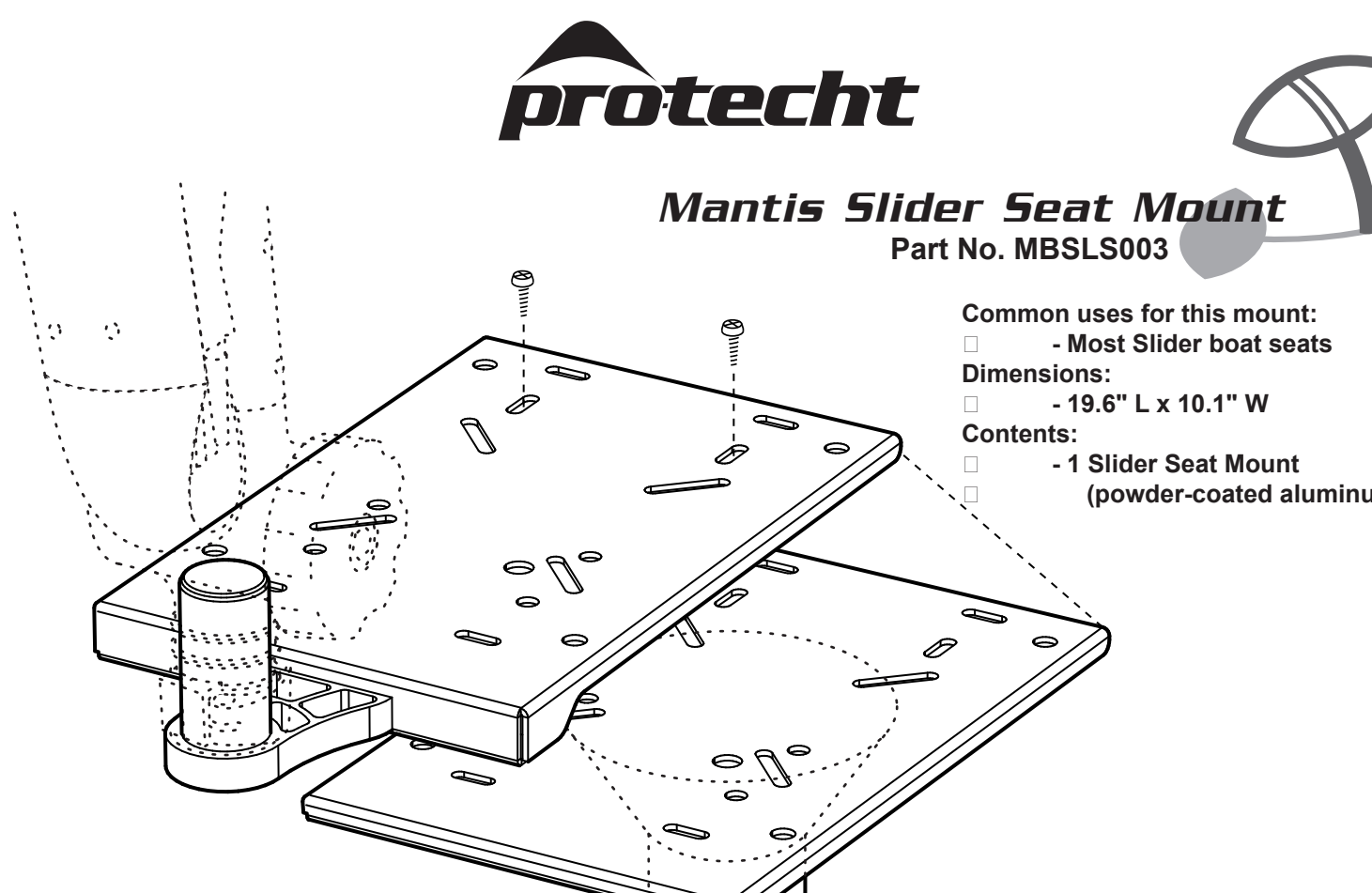
**protecht**  
**Mantis Swivel Seat Mount**  
 Part No. MBSS001

- Common uses for this mount:
- Standard 4 screw swivel boat seats
- Dimensions:
- 17.8" L x 7.5" W
- Contents:
- 1 Swivel Seat Mount (powder-coated aluminum)

**1. REMOVE SWIVEL SEAT FROM PEDESTAL**  
 To remove seat, unscrew the 4 screws from beneath the seat pedestal.

**2. ALIGN SEAT MOUNT WITH PEDESTAL**  
 The series of slotted holes are designed to retrofit existing seat pedestals, while providing fore and aft adjustment. Position the mount over the seat pedestal with all screw holes in view. Select slot positions by test-fitting the swivel seat to ensure that the vertical post clears the seat back.

**3. REINSTALL SWIVEL SEAT**  
 With the mounting plate now sandwiched between the pedestal and the seat in the desired position, replace the 4 screws and tighten securely. You can now place the Mantis assembly onto the vertical post of the bracket, and lock in place. Refer to the manual supplied with Mantis for detailed instructions.



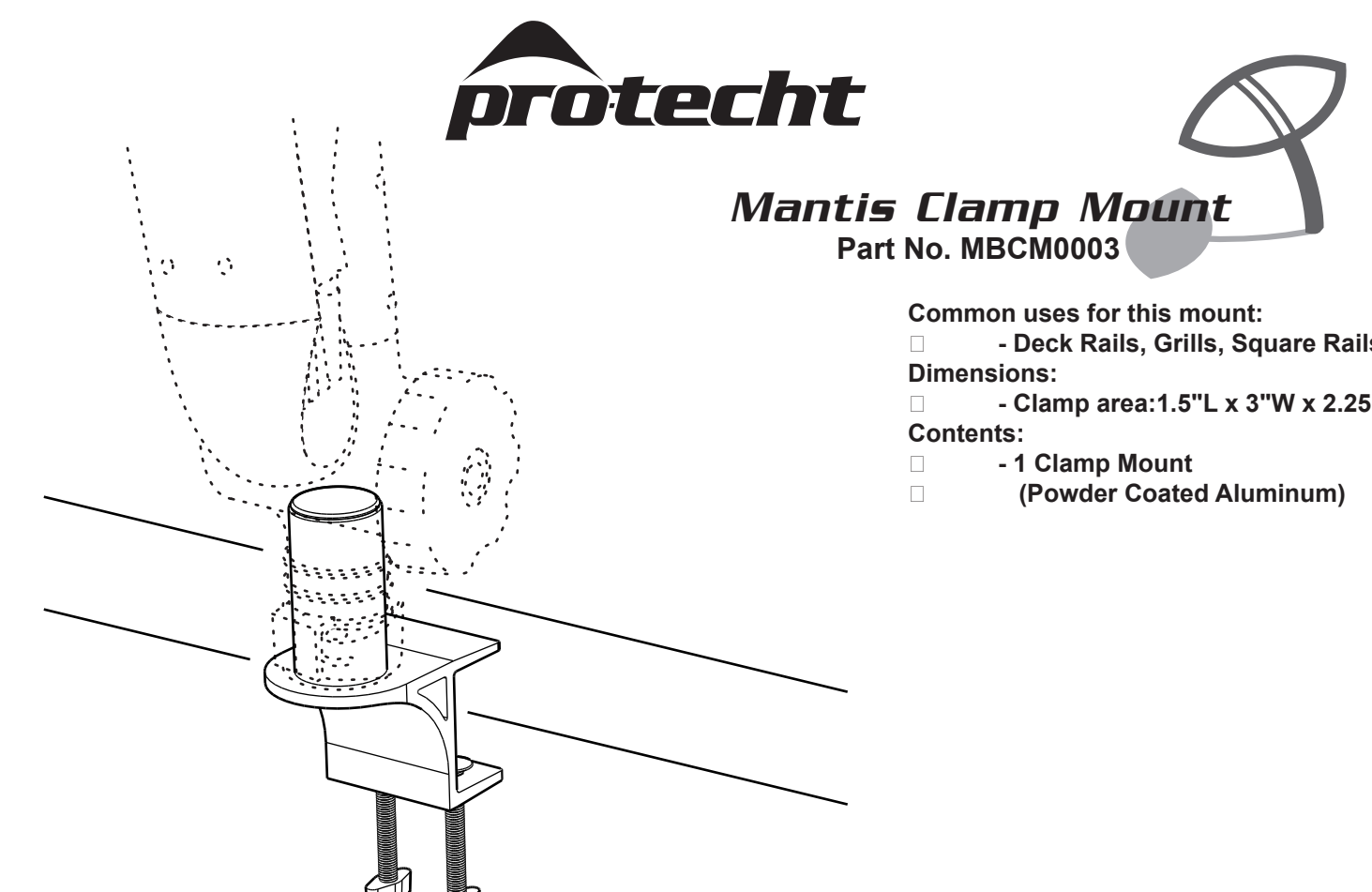
**protecht**  
**Mantis Slider Seat Mount**  
 Part No. MBSLS003

- Common uses for this mount:
- Most Slider boat seats
- Dimensions:
- 19.6" L x 10.1" W
- Contents:
- 1 Slider Seat Mount (powder-coated aluminum)

**1. REMOVE SEAT FROM PEDESTAL**  
 To remove seat, unscrew the screws from beneath the seat pedestal, and remove chair.

**2. ATTACH MANTIS MOUNT TO EXISTING SLIDER PLATE**  
 The Slider Seat Mount retrofits over most existing sliders. Additionally, the series of slotted holes are designed to fit existing seat pedestals. Position the new slider mount over the existing Slider. Test-fit the swivel seat to ensure that the vertical post clears the seat back and aligns with slider holes

**3. REINSTALL SLIDER SEAT**  
 With the new mounting plate now sandwiched between the existing plate and the new plate, replace the seat and tighten screws securely. You can now place the Mantis assembly onto the vertical post of the bracket, and lock in place. Refer to the manual supplied with Mantis for detailed instructions.



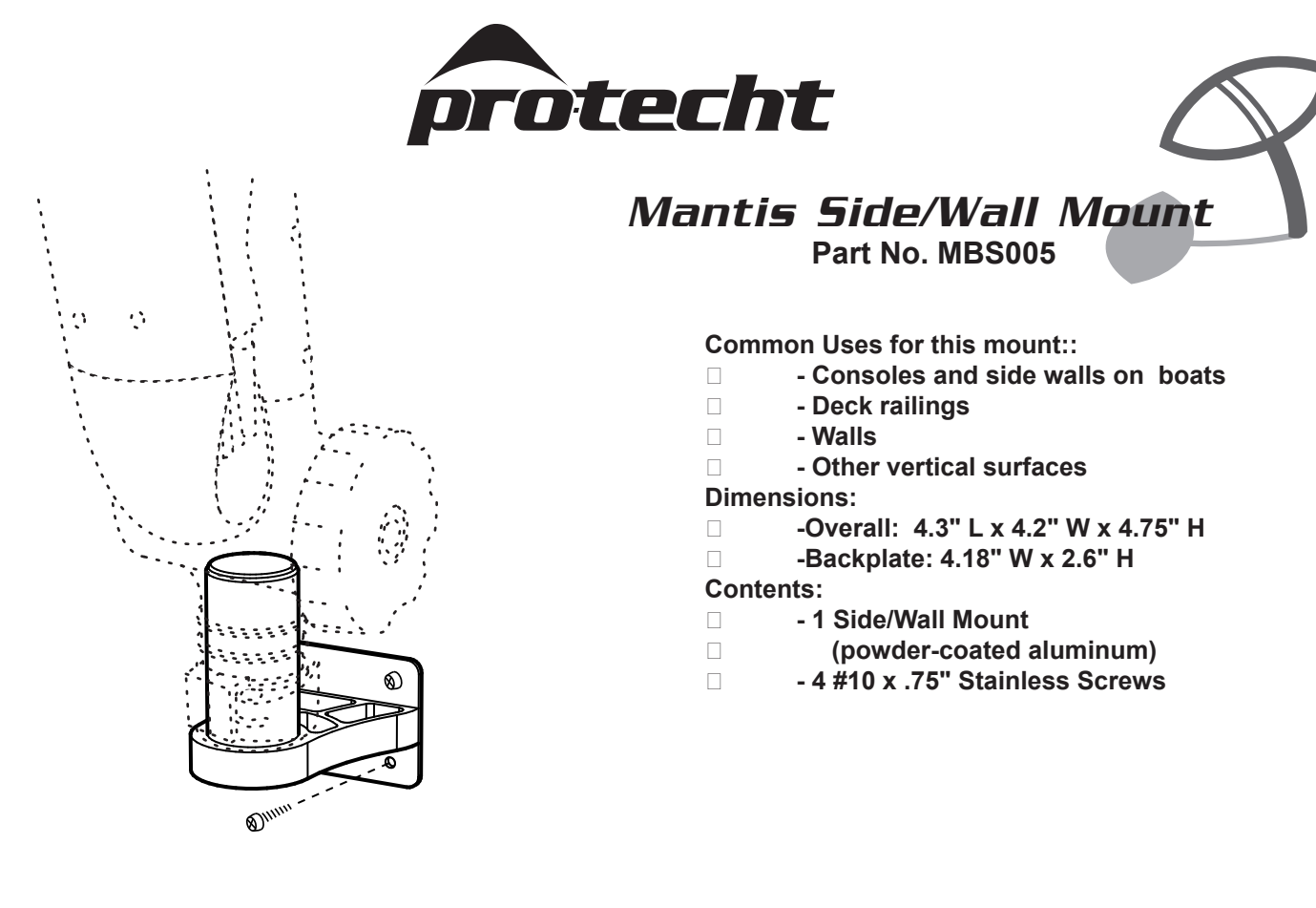
**protecht**  
**Mantis Clamp Mount**  
 Part No. MBCM0003

- Common uses for this mount:
- Deck Rails, Grills, Square Rails
- Dimensions:
- Clamp area: 1.5" L x 3" W x 2.25 H
- Contents:
- 1 Clamp Mount (Powder Coated Aluminum)

**1. LOOSEN SCREWS**  
 After identifying a sturdy location for the Clamp Mount, rotate the screws counterclockwise.

**2. SLIP CLAMP MOUNT ONTO MOUNTING LEDGE**  
 With screw adequately loosened, slip the clamp mount into position. Tighten screws as securely as possible by hand. Overtightening may damage the mounting surface.

**3. INSTALL MANTIS**  
 Now place the Mantis assembly onto the vertical post of the mount, and lock in place. Refer to the manual supplied with Mantis for detailed instructions.



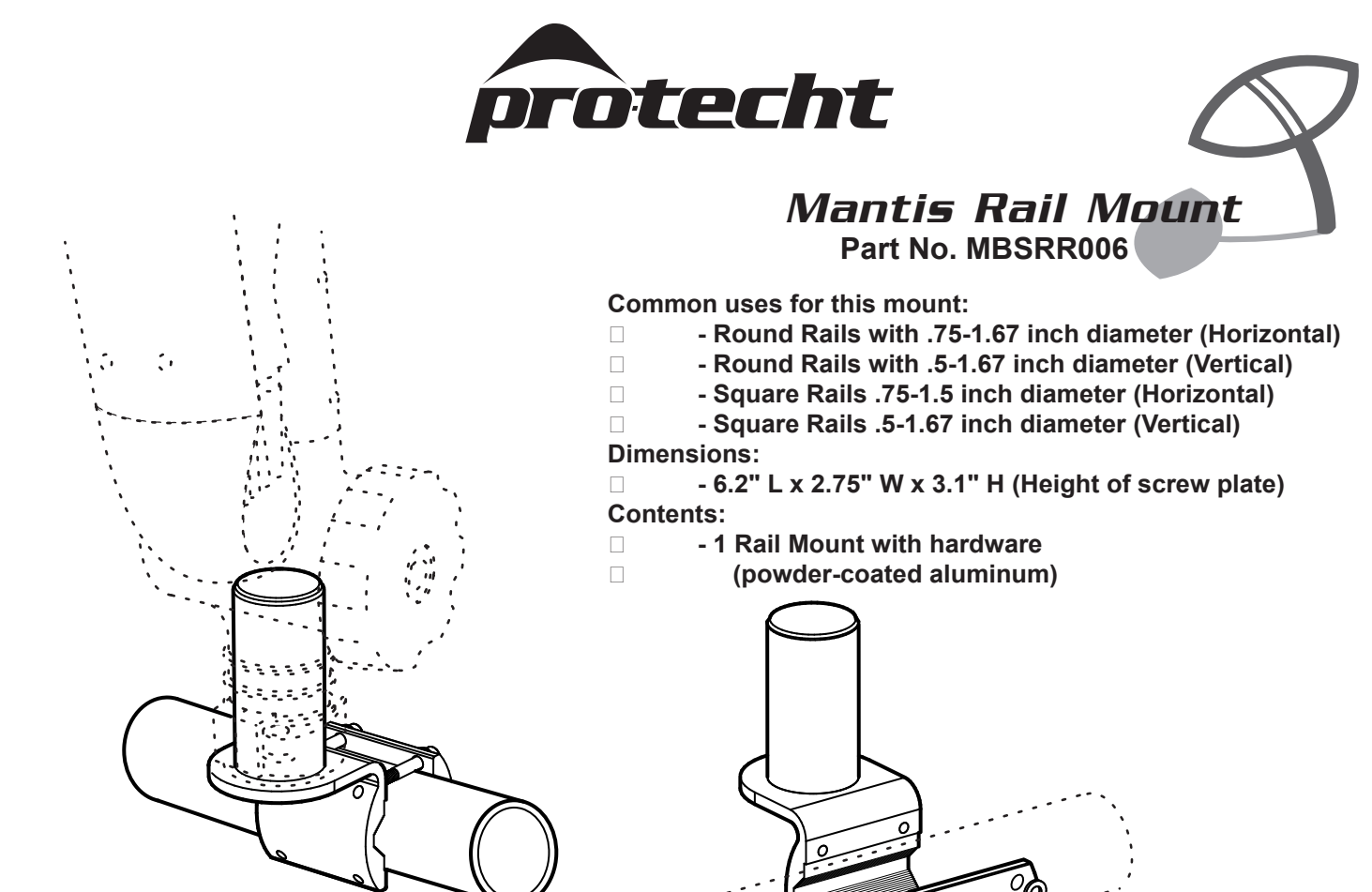
**protecht**  
**Mantis Side/Wall Mount**  
 Part No. MBS005

- Common Uses for this mount::
- Consoles and side walls on boats
  - Deck railings
  - Walls
  - Other vertical surfaces
- Dimensions:
- Overall: 4.3" L x 4.2" W x 4.75" H
  - Backplate: 4.18" W x 2.6" H
- Contents:
- 1 Side/Wall Mount (powder-coated aluminum)
  - 4 #10 x .75" Stainless Screws

**1. MARK AND DRILL HOLES**  
 Using the mounting bracket as a template, pencil the hole locations onto the mounting substrate. With a 1/8 inch diameter bit, drill 4 holes in the marked positions.

**2. INSTALL BRACKET**  
 With a Phillips screwdriver, install the bracket, using the 4 supplied screws. Be sure all screws are securely tightened. If using Pro-Tech's optional back plate in conjunction with the deck mount, refer to the instructions that come with the back plate.

**3. INSTALL MANTIS**  
 Now place the Mantis assembly onto the vertical post of the bracket, and lock in place. Refer to the manual supplied with Mantis for detailed instructions.



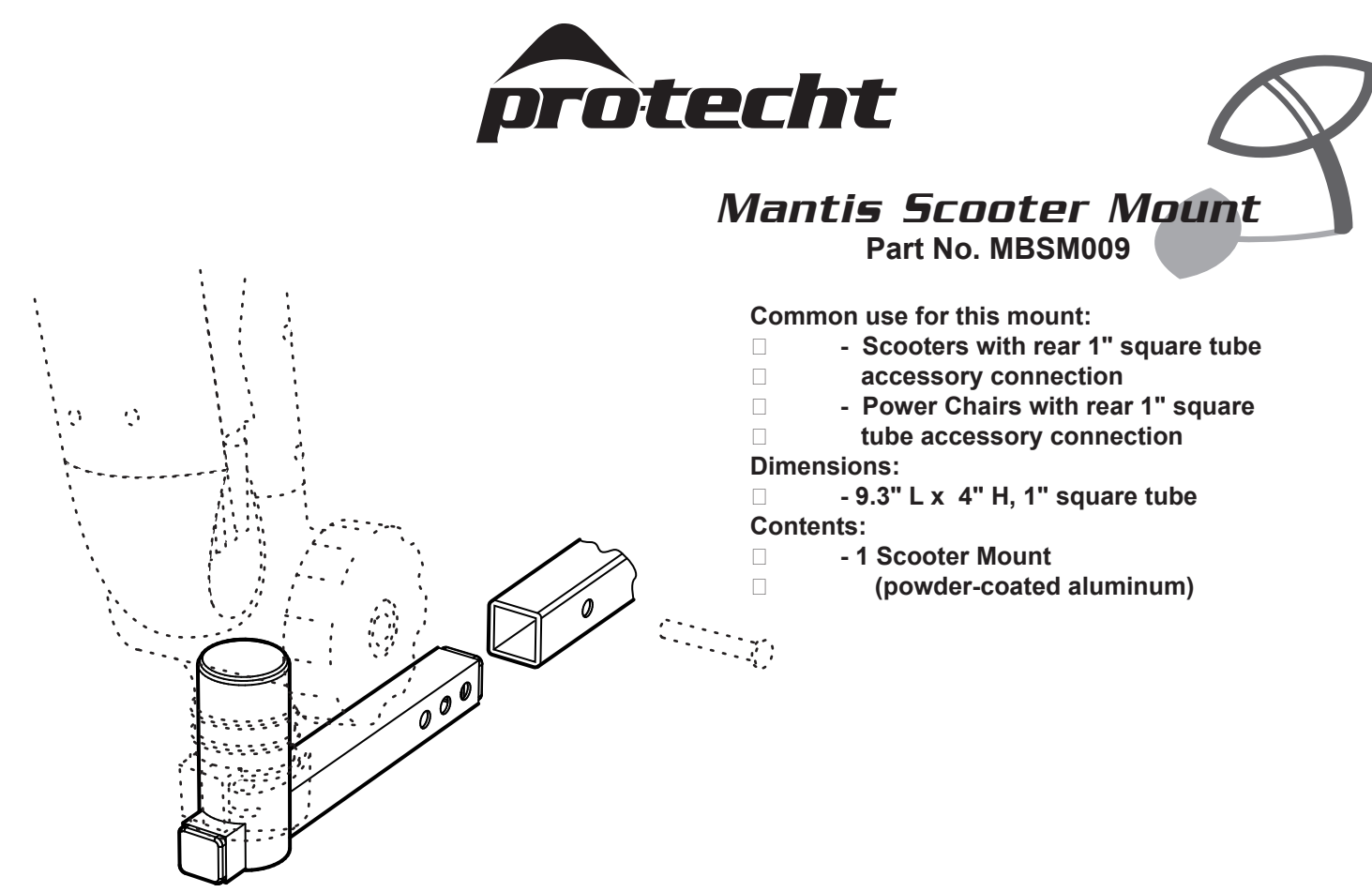
**protecht**  
**Mantis Rail Mount**  
 Part No. MBSRR006

- Common uses for this mount:
- Round Rails with .75-1.67 inch diameter (Horizontal)
  - Round Rails with .5-1.67 inch diameter (Vertical)
  - Square Rails .75-1.5 inch diameter (Horizontal)
  - Square Rails .5-1.67 inch diameter (Vertical)
- Dimensions:
- 6.2" L x 2.75" W x 3.1" H (Height of screw plate)
- Contents:
- 1 Rail Mount with hardware (powder-coated aluminum)

**1. SELECT RAIL LOCATION**  
 Choose a railing that will provide a sturdy mounting base for Mantis immediately behind the desired seating/standing area.

**2. INSTALL BRACKET**  
 Wrap the provided thin plastic sheet around rail. Cut to size as desired. With a 5/32 allen wrench unscrew the screws and align mount parts to rail and start each screw. Tighten all 4 cap screws securely being sure to use the supplied lock washers. **Note:** For vertical rail applications rotate the smaller mount part 90 degrees before inserting and tightening screws.

**3. INSTALL MANTIS**  
 Now place the Mantis assembly onto the vertical post of the bracket, and lock in place. Refer to the manual supplied with Mantis for detailed instructions.



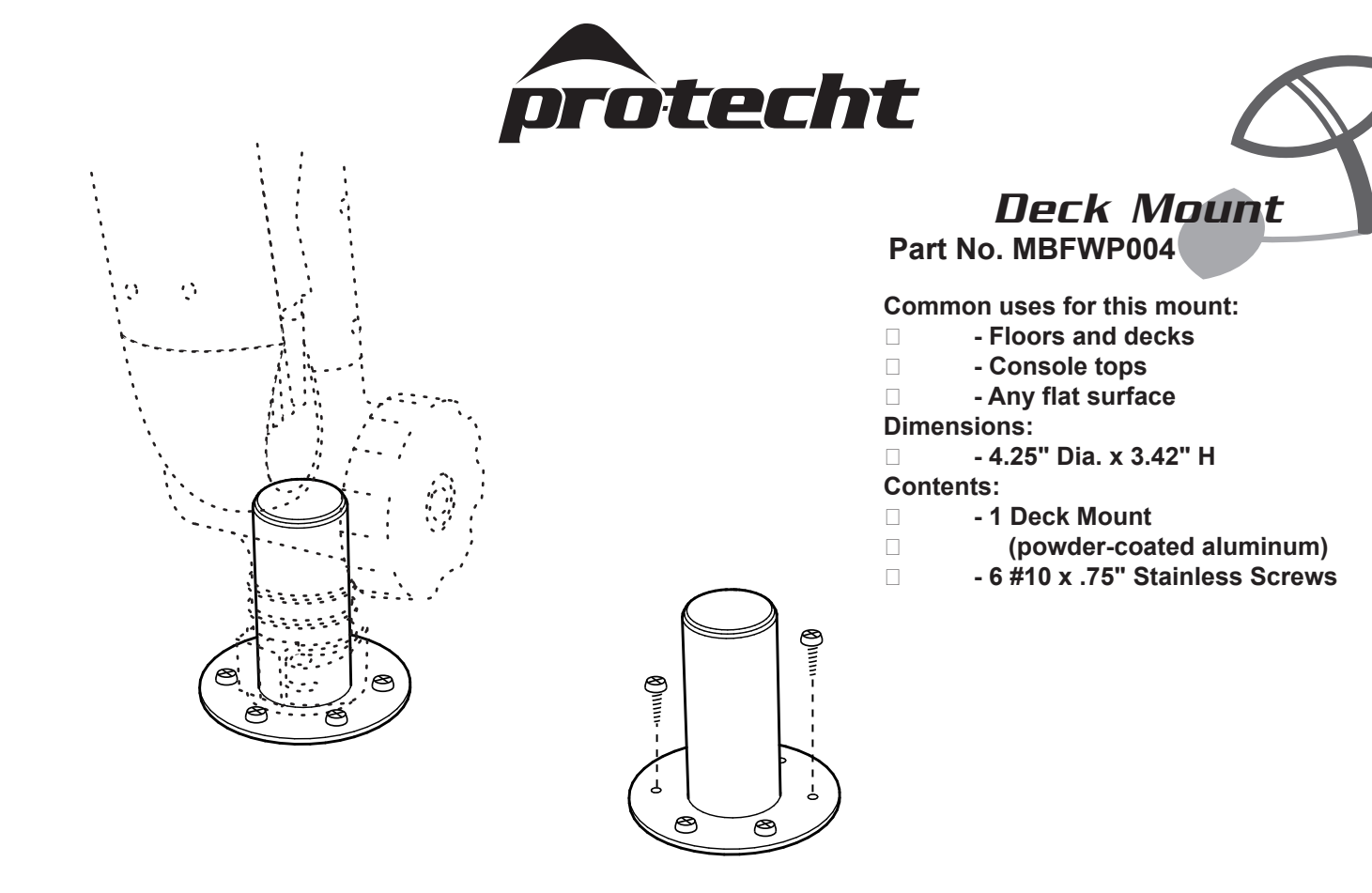
**protecht**  
**Mantis Scooter Mount**  
 Part No. MBSM009

- Common use for this mount:
- Scooters with rear 1" square tube accessory connection
  - Power Chairs with rear 1" square tube accessory connection
- Dimensions:
- 9.3" L x 4" H, 1" square tube
- Contents:
- 1 Scooter Mount (powder-coated aluminum)

**1. LOCATE MOUNTING SLOT ON SCOOTER**  
 If your scooter does not have a mounting slot for accessories, check with your dealer. You will need one before Mantis can be installed.

**2. INSTALL HITCH POST**  
 Slide rectangular beam into mounting slot. (Leave enough clearance so that Mantis assembly will not interfere with seat back once it is installed.) Use pin(s) or tighten knob provided with your scooter's mounting slot to secure hitch in desired location.

**3. INSTALL MANTIS**  
 Now place the Mantis assembly onto the vertical post of the bracket, and lock in place with locking mechanism. Refer to the manual supplied with Mantis for detailed instructions.



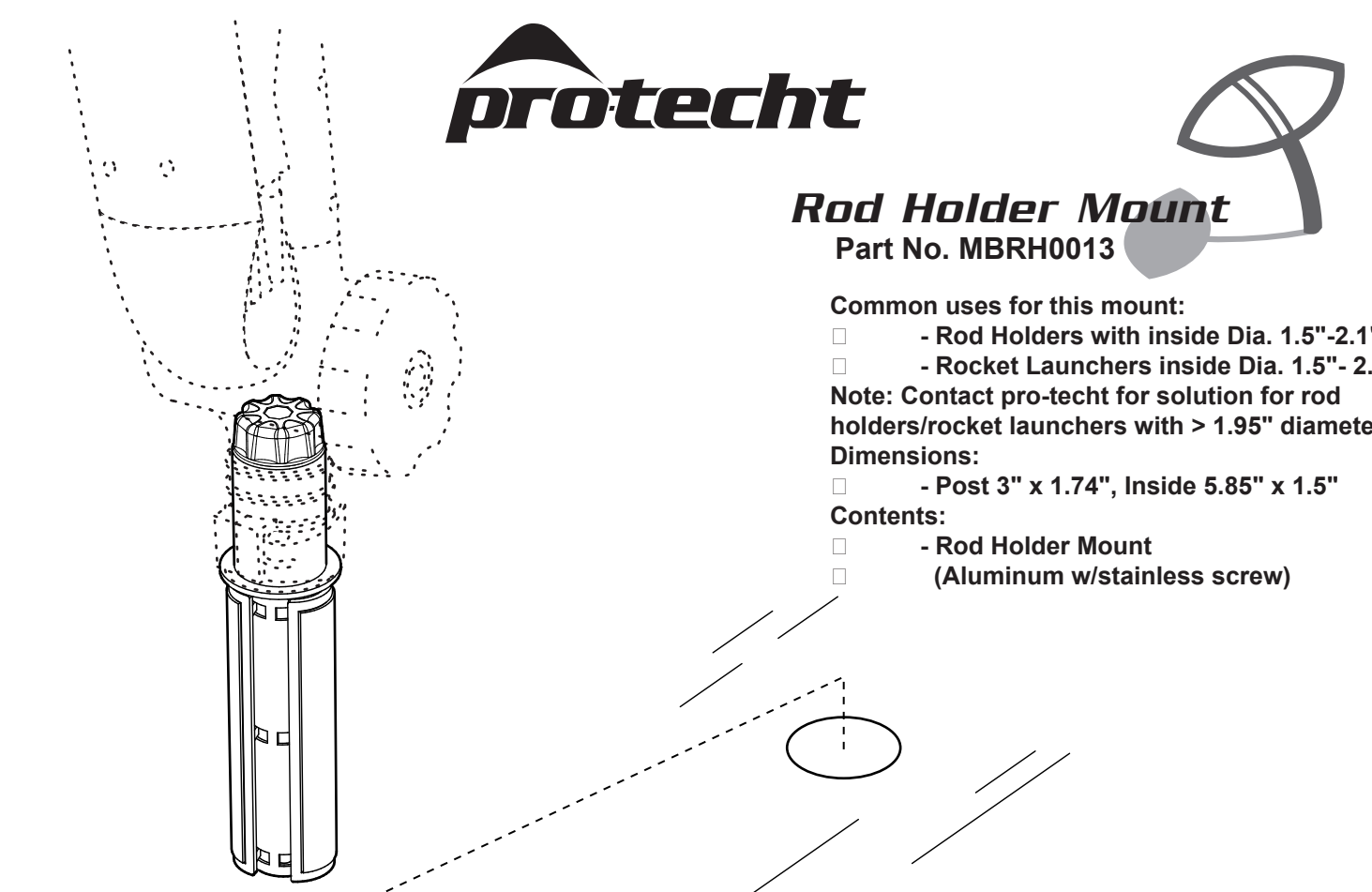
**protecht**  
**Deck Mount**  
 Part No. MBFWP004

- Common uses for this mount:
- Floors and decks
  - Console tops
  - Any flat surface
- Dimensions:
- 4.25" Dia. x 3.42" H
- Contents:
- 1 Deck Mount (powder-coated aluminum)
  - 6 #10 x .75" Stainless Screws

**1. SELECT LOCATION; MARK AND DRILL HOLES**  
 Using the floor mount as a template, pencil the 6 hole locations onto the mounting substrate. With a 1/8 inch diameter bit, drill holes in the marked positions.

**2. INSTALL MOUNT**  
 With a Phillips screwdriver, install the mount, using the 6 supplied screws. Be sure all screws are securely tightened. If using Pro-Tech's optional back plate in conjunction with the deck mount, refer to the instructions that come with the back plate.

**3. INSTALL MANTIS**  
 Now place the Mantis assembly onto the vertical post of the bracket, and lock in place. Refer to the manual supplied with Mantis for detailed instructions.



**protecht**  
**Rod Holder Mount**  
 Part No. MBRH0013

- Common uses for this mount:
- Rod Holders with inside Dia. 1.5"-2.1"
  - Rocket Launchers inside Dia. 1.5"- 2.1"
- Note: Contact pro-techt for solution for rod holders/rocket launchers with > 1.95" diameter
- Dimensions:
- Post 3" x 1.74", Inside 5.85" x 1.5"
- Contents:
- Rod Holder Mount (Aluminum w/stainless screw)

**1. SELECT A SUITABLE ROD HOLDER LOCATION**  
 Choose an existing rod holder mount near your activity area. Insert the lower part of the mount into the rod holder either with or without the red mesh.

**2. SECURE ROD HOLDER MOUNT**  
 After placing the lower section of the mount into the rod holder hole, tighten knob clockwise until secure in the hole. To remove rod holder mount loosen knob counter clockwise until you can remove from the rod holder.

**3. INSTALL MANTIS**  
 Now place the Mantis assembly onto the vertical post of the mount, and lock in place. Refer to the manual supplied with Mantis for detailed instructions.

Note: Your Rod Holder Mount may look different than the one pictured, but the instructions for use are correct.